

SMD Magnetic Transducer



SFM-1224B

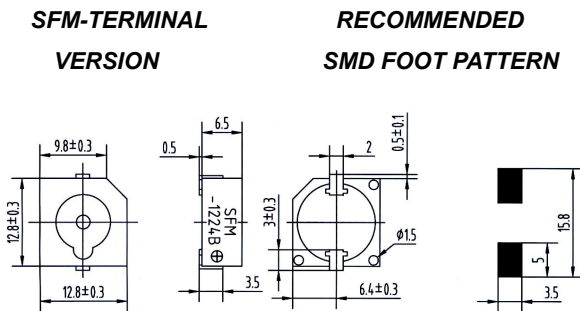
FEATURES:

Rev.3

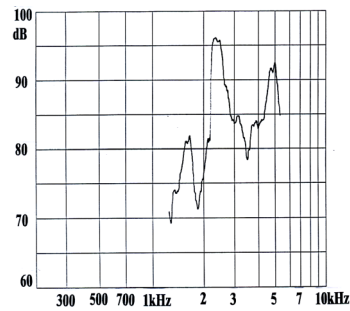


- This Item Is Designed For Surface Mounting Applications
- The Pin Is Plated With Tin, Which Can Meet The Request of Re-flow Soldering Process at 260°C For 30 Seconds.
- Small Size

DIMENSIONS:(Unit: mm)



CHARACTERISTICS:

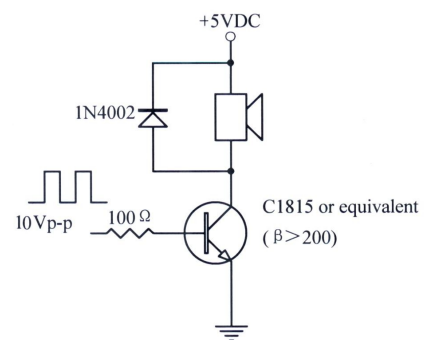


ELECTRICAL SPECIFICATIONS:

TEST CIRCUITS:

Min. Sound Pressure Level at

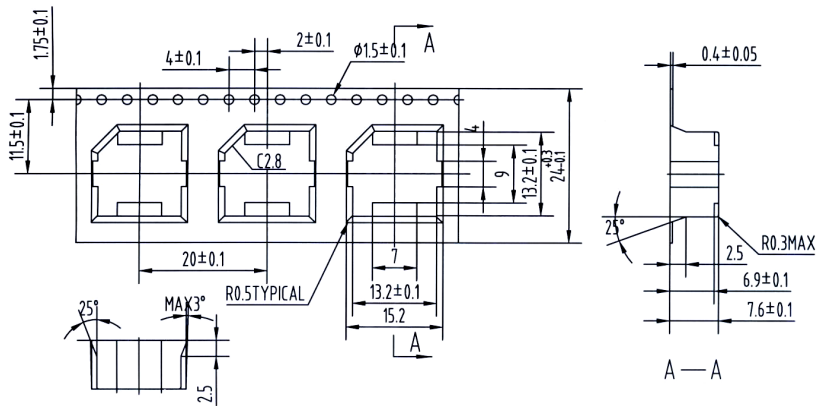
5V /10cm.....	87dB
Rated Voltage.....	5V
Operating Voltage.....	4~7V
Max. Consumption	
at 2400Hz/10Vp-p Square Wave.....	40mA/5V _{DC}
Resonant Frequency.....	2400Hz
Coil Resistance.....	50±7Ω
Operating Temperature.....	-40~+85°C
Storage Temperature.....	-40~+85°C
Weight.....	2.0g



PACKING INFORMATION:

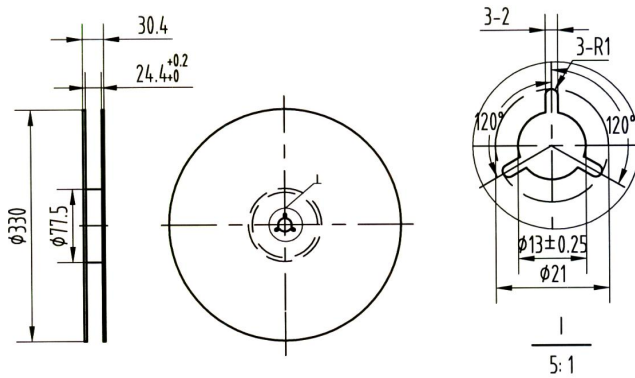
◆ **TAPE TYPE INFORMATION:**

The design for such tape packing was executed under standard IEC -286-3
 The material of the tape is polystyrene in black color. Detailed dimensions are as below:



DIMEDNSIONS OF THE ROLLING PLATE:

The material of the rolling plate is in paper;
 The dimensions of the rolling plate are as below:



PACKING DIMENSIONS AND QUANTITY:

- The rolling plate is packed with 450 pcs of the transducer per plate.
- The dimension of the outer carton is 400X 350X350mm containing 10 plate with a total quantity of 4,500 pcs of the transducer.
- The total gross weight per carton is 11Kgs, while net weight is 9Kgs.

Address: No. 12. Lane 722. Sangtian Road Jiangdong, Ningbo, 315040 P. R. China
 Sales Tel: +86-574-87809820(International)/87805605(Domestic)
 Fax: +86-574-87803761



REVISION HISTORY				
REV	DESCRIPTION	ISSUED BY/DATE	CHECKED	APPROVED
3	Resistance change from 45±5Ω to 50±7Ω	ZHOUHONGGANG Sep 21, 2010	ZHANGCHUNLEI	WANGJIANCHENG