

**SMD Magnetic Transducer**



**SFM-1224B03**

Rev.2



**FEATURES:**

- Low Frequency
- Small and slim size
- Can Endure Re-flow Solder Process

**APPLICATIONS:**

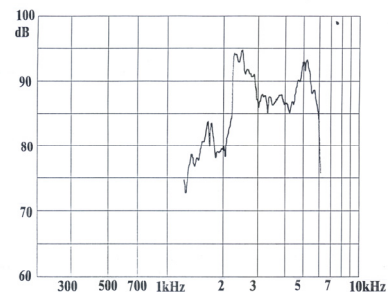
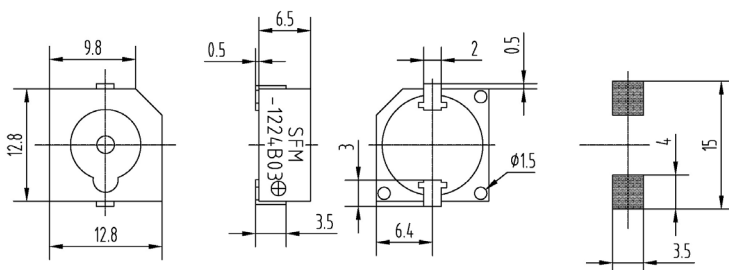
- Automatic Control Equipment
- Communication Equipment
- Electronic Instruments

**DIMENSIONS:( Unit: mm)**

**CHARACTERISTICS:**

**SFM-TERMINAL VERSION**

**RECOMMENDED SMD FOOT PATTERN**

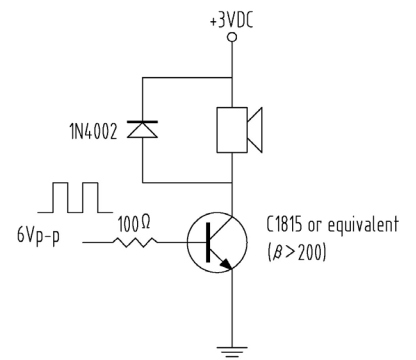


**ELECTRICAL SPECIFICATIONS:**

**TEST CIRCUITS:**

Min. Sound Pressure Level at

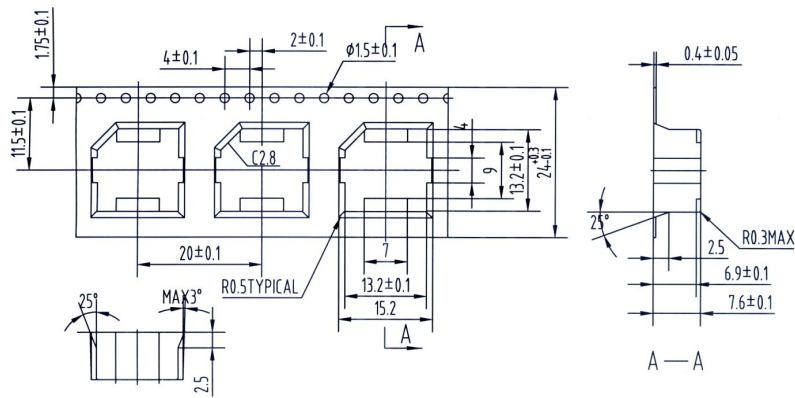
3V /10cm.....	87dB
Rated Voltage.....	3V
Operating Voltage.....	2~5V
Max. Consumption	
at 2400Hz/6Vp-p Square Wave.....	70mA/3V <sub>DC</sub>
Resonant Frequency.....	2400Hz
Coil Resistance.....	16±4Ω
Operating Temperature.....	-40~+85°C
Storage Temperature.....	-40~+85°C
Weight.....	2.0g



**PACKING INFORMATION:**

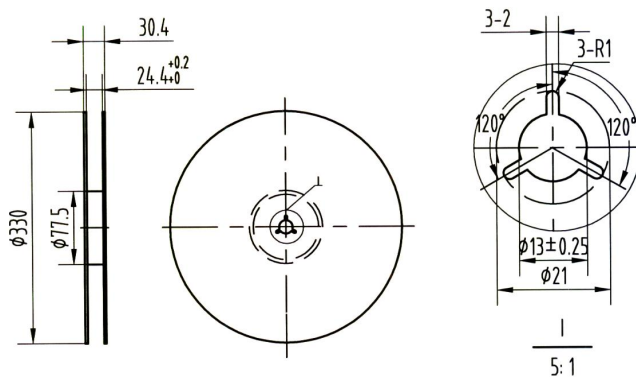
**◆ TAPE TYPE INFORMATION:**

The design for such tape packing was executed under standard IEC -286-3  
 The material of the tape is polystyrene in black color. detailed dimensions are as below:



**DIMEDNSIONS OF THE ROLLING PLATE:**

The material of the rolling plate is in paper;  
 The dimensions of the rolling plate are as below:



**PACKING DIMENSIONS AND QUANTITY:**

- The rolling plate is packed with 450 pcs of the transducer per plate.
- The dimension of the outer carton is 400X 350X350mm containing 10 plate with a total quantity of 4,500 pcs of the transducer.
- The total gross weight per carton is 11Kgs, while net weight is 9Kgs.

Address: No. 12. Lane 722. Sangtian Road Jiangdong, Ningbo, 315040 P. R. China  
 Sales Tel: +86-574-87809820(International)/87805605(Domestic)  
 Fax: +86-574-87803761

