

SMD Magnetic Transducer

SFM-1224B12

Rev.2



FEATURES:

- Low Frequency
- Can Endure Re-flow Solder Process

APPLICATIONS:

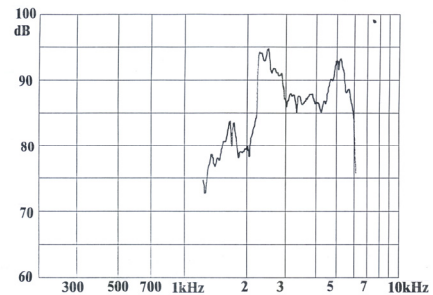
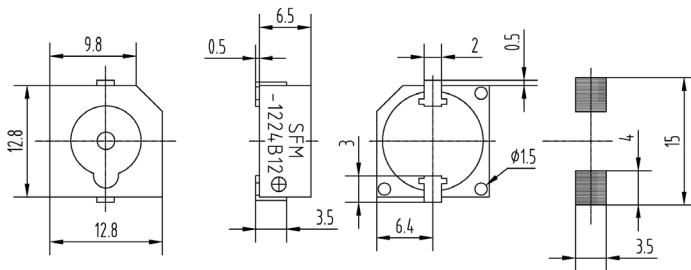
- Automatic Control Equipment
- Communication Equipment
- Electronic Instruments

DIMENSIONS: (Unit: mm)

CHARACTERISTICS:

SFM-TERMINAL VERSION

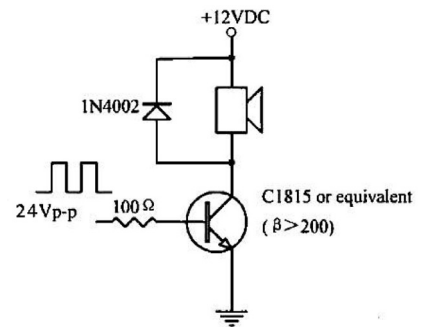
RECOMMENDED SMD FOOT PATTERN



ELECTRICAL SPECIFICATIONS:

TEST CIRCUITS:

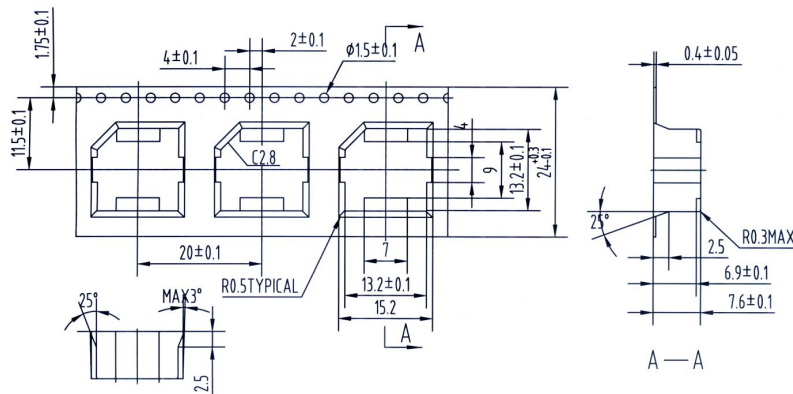
Min. Sound Pressure Level at	
12V/10cm.....	87dB(A)
Rated Voltage.....	12V
Operating Voltage.....	8~16V
Max. Consumption	
at 2400Hz/24Vp-p Square Wave.....	40mA/12V _{DC}
Resonant Frequency.....	2400Hz
Coil Resistance.....	140±14Ω
Operating Temperature.....	-40~+85°C
Storage Temperature.....	-40~+85°C
Weight.....	2.0g



PACKING INFORMATION:

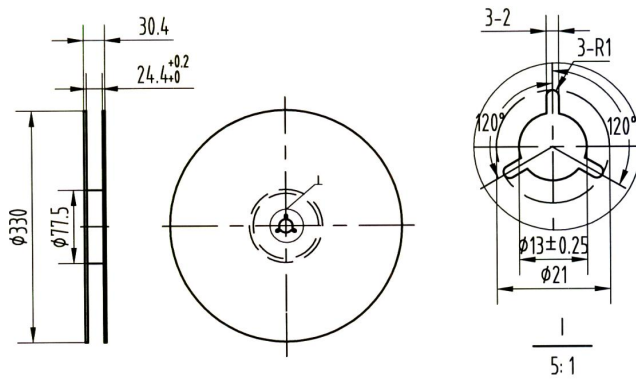
◆ TAPE TYPE INFORMATION:

The design for such tape packing was executed under standard IEC -286-3
 The material of the tape is polystyrene in black color. detailed dimensions are as below:



DIMENSIONS OF THE ROLLING PLATE:

The material of the rolling plate is in paper;
 The dimensions of the rolling plate are as below:



PACKING DIMENSIONS AND QUANTITY:

- The rolling plate is packed with 450 pcs of the transducer per plate.
- The dimension of the outer carton is 400X 350X350mm containing 10 plate with a total quantity of 4,500 pcs of the transducer.
- The total gross weight per carton is 11Kgs, while net weight is 9Kgs.

Address: No. 12. Lane 722. Sangtian Road Jiangdong, Ningbo, 315040 P. R. China
 Sales Tel: +86-574-87809820(International)/87805605(Domestic)
 Fax: +86-574-87803761

