



SMD Magnetic Transducer

SFM-1224BB



FEATURES:

- Low Frequency
- Small and slim size
- Can Endure Re-flow Solder Process

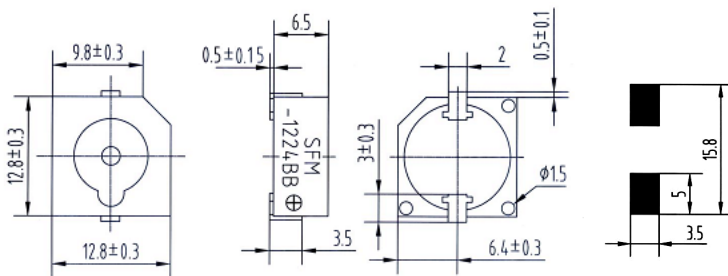
Rev.2

APPLICATIONS:

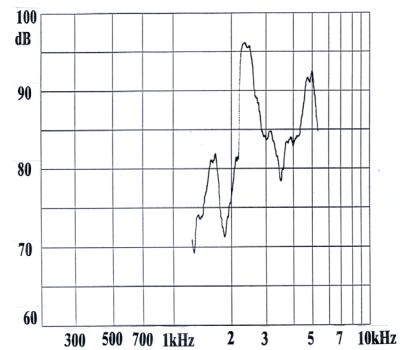
- Automatic Control Equipment
- Communication Equipment
- Electronic Instruments

DIMENSIONS: (Unit: mm)

SFM-TERMINAL RECOMMENDED VERSION SMD FOOT PATTERN



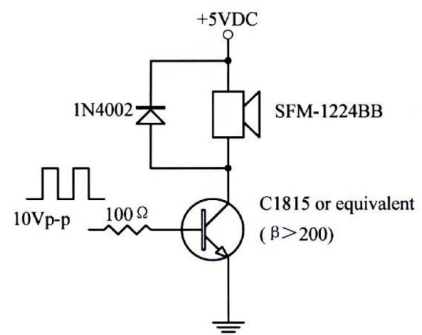
CHARACTERISTICS:



ELECTRICAL SPECIFICATIONS:

Min. Sound Pressure Level at	
5V/10cm.....	87dB(A)
Rated Voltage.....	5V
Operating Voltage.....	4~7V
Max. Consumption	
at 2400Hz/10Vp-p Square Wave.....	40mA/5V _{DC}
Resonant Frequency.....	2400Hz
Coil Resistance.....	45±5Ω
Operating Temperature.....	-40~+85°C
Storage Temperature.....	-40~+85°C
Weight.....	2.0g

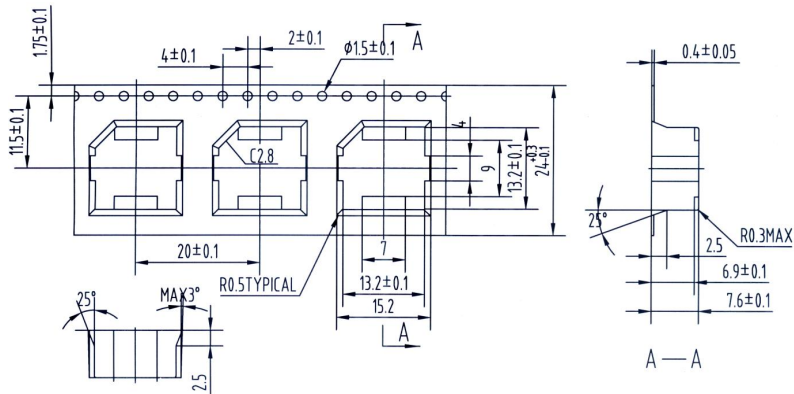
TEST CIRCUITS:



PACKING INFORMATION:

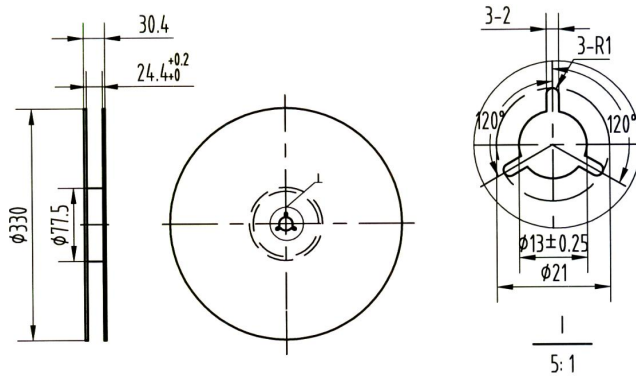
◆ TAPE TYPE INFORMATION:

The design for such tape packing was executed under standard IEC -286-3
The material of the tape is polystyrene in black color. detailed dimensions are as below:



DIMEDNSIONS OF THE ROLLING PLATE:

The material of the rolling plate is in paper;
The dimensions of the rolling plate are as below:



PACKING DIMENSIONS AND QUANTITY:

- The rolling plate is packed with 450 pcs of the transducer per plate.
- The dimension of the outer carton is 400X 350X350mm containing 10 plate with a total quantity of 4,500 pcs of the transducer.
- The total gross weight per carton is 11Kgs,while net weight is 9Kgs.

Address: No. 12. Lane 722. Sangtian Road Jiangdong, Ningbo, 315040 P. R. China
Sales Tel: +86-574-87809820(International)/87805605(Domestic)
Fax: +86-574-87803761

