



### SMD Magnetic Buzzer



## SFM-1224S03



#### FEATURES:

Rev.2

- Low Frequency
- Small and slim size
- Can Endure Re-flow Solder Process

#### APPLICATIONS:

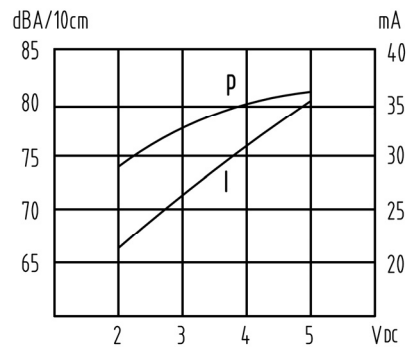
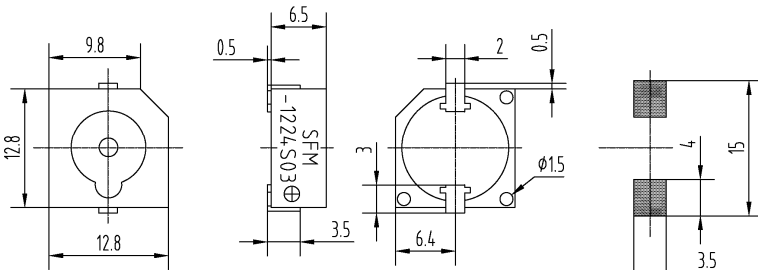
- Automatic Control Equipment
- Communication Equipment
- Electronic Instruments

#### DIMENSIONS:( Unit: mm)

#### CHARACTERISTICS:

##### SFM-TERMINAL VERSION

##### RECOMMENDED SMD FOOT PATTERN



#### ELECTRICAL SPECIFICATIONS:

#### TEST CIRCUITS:

Min. Sound Pressure Level at

3V<sub>DC</sub> /10cm.....75dB

Rated Voltage.....3V<sub>DC</sub>

Operating Voltage.....2~5V<sub>DC</sub>

Max. Consumption

at 2400Hz/6Vp-p Square Wave.....30mA/3V<sub>DC</sub>

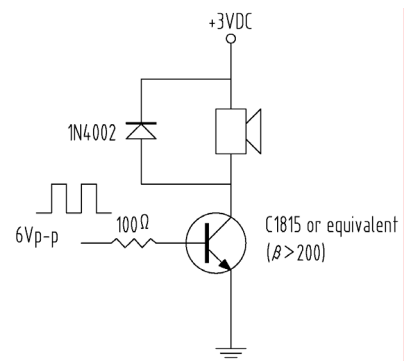
Oscillating Frequency.....2400±400Hz

Case Material.....PPS

Operating Temperature.....-20~+70°C

Storage Temperature.....-30~+80°C

Weight.....2.0g

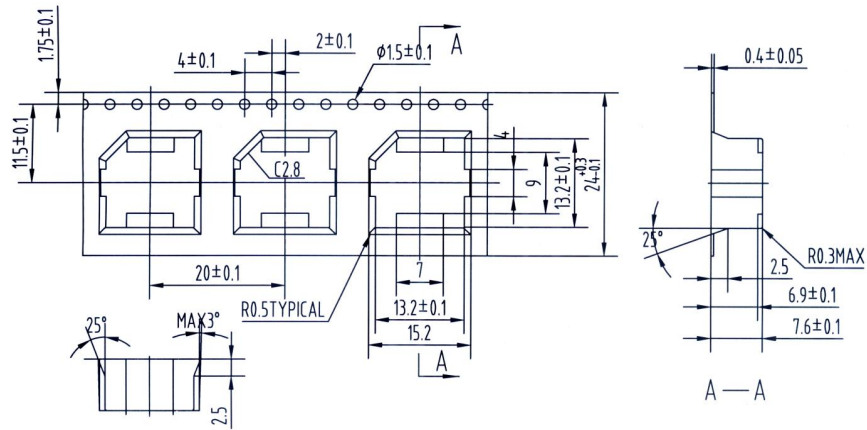


#### PACKING INFORMATION:

##### ◆ TAPE TYPE INFORMATION:

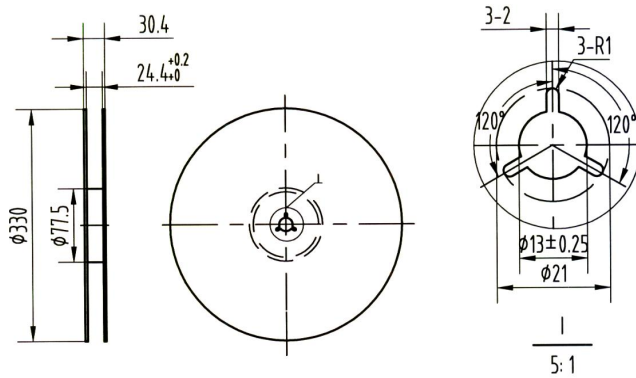
The design for such tape packing was executed under standard IEC -286-3

The material of the tape is polystyrene in black color. detailed dimensions are as below:



**DIMEDNSIONS OF THE ROLLING PLATE:**

The material of the rolling plate is in paper;  
 The dimensions of the rolling plate are as below:



**PACKING DIMENSIONS AND QUANTITY:**

- The rolling plate is packed with 450 pcs of the transducer per plate.
- The dimension of the outer carton is 400X 350X350mm containing 10 plate with a total quantity of 4,500 pcs of the transducer.
- The total gross weight per carton is 11Kgs, while net weight is 9Kgs.

Address: No. 12. Lane 722. Sangtian Road Jiangdong, Ningbo, 315040 P. R. China  
 Sales Tel: +86-574-87809820(International)/87805605(Domestic)  
 Fax: +86-574-87803761

