

**SMD Magnetic Buzzer**

**SFM-1224S12**

Rev.2



**FEATURES:**

- Low Frequency
- Small and slim size
- Can Endure Re-flow Solder Process

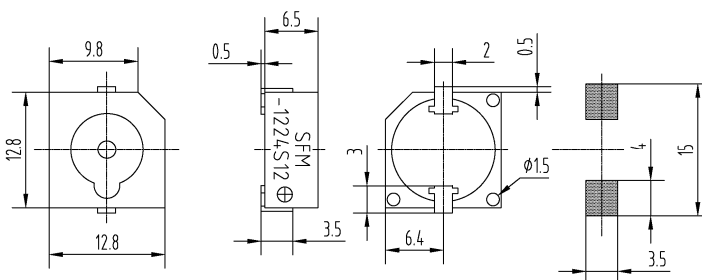
**APPLICATIONS:**

- Automatic Control Equipment
- Communication Equipment
- Electronic Instruments

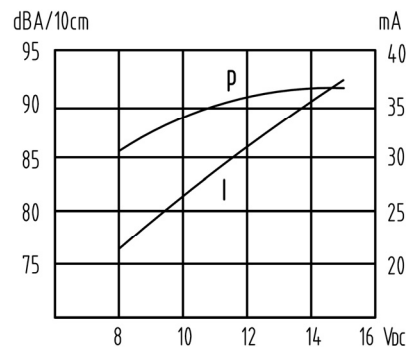
**DIMENSIONS:( Unit: mm)**

**SFM-TERMINAL VERSION**

**RECOMMENDED SMD FOOT PATTERN**



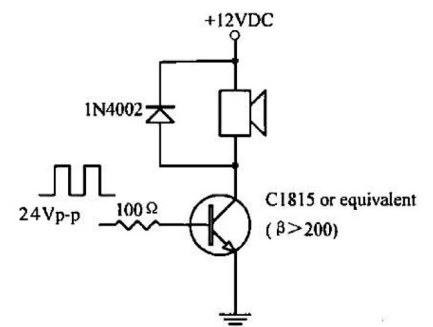
**CHARACTERISTICS:**



**ELECTRICAL SPECIFICATIONS:**

Min. Sound Pressure Level at	
12V <sub>DC</sub> /10cm.....	88dB
Rated Voltage.....	12V <sub>DC</sub>
Operating Voltage.....	8~15 <sub>DC</sub>
Max. Consumption	
at 2400Hz/24Vp-p Square Wave.....	30mA/12V <sub>DC</sub>
Oscillating Frequency.....	2400±400Hz
Case Material.....	PPS
Operating Temperature.....	-20~+70°C
Storage Temperature.....	-30~+80°C
Weight.....	2.0g

**TEST CIRCUITS:**

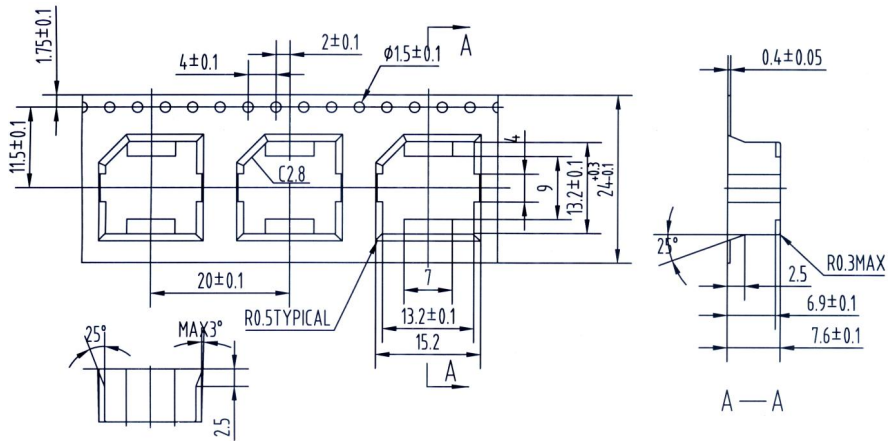


Value applying rated voltage(resonant frequency,1/2 duty, square wave)

**PACKING INFORMATION:**

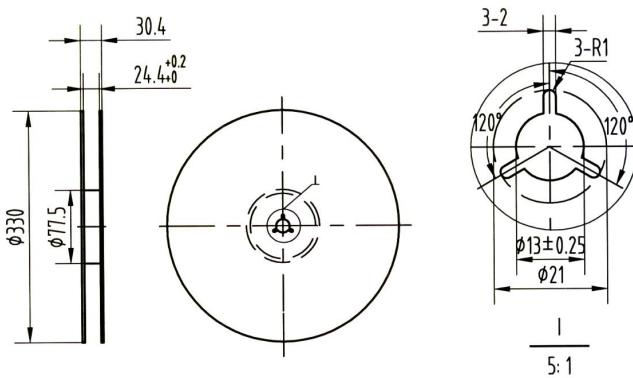
**◆ TAPE TYPE INFORMATION:**

The design for such tape packing was executed under standard IEC -286-3  
 The material of the tape is polystyrene in black color. detailed dimensions are as below:



***DIMEDNSIONS OF THE ROLLING PLATE:***

*The material of the rolling plate is in paper;  
The dimensions of the rolling plate are as below:*



***PACKING DIMENSIONS AND QUANTITY:***

- The rolling plate is packed with 450 pcs of the transducer per plate.*
- The dimension of the outer carton is 400X 350X350mm containing 10 plate with a total quantity of 4,500 pcs of the transducer.*
- The total gross weight per carton is 11Kgs,while net weight is 9Kgs.*

*Address: No. 12. Lane 722. Sangtian Road Jiangdong, Ningbo, 315040 P. R. China  
Sales Tel: +86-574-87809820(International)/87805605(Domestic)  
Fax: +86-574-87803761*

