

SMD Magnetic Transducer

SFM-1320-12

Rev.2



FEATURES:

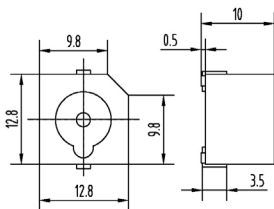
- Low Frequency
- Can Endure Re-flow Solder Process
- Small and slim size

APPLICATIONS:

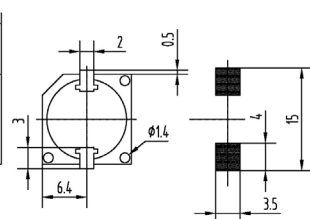
- Automatic Control Equipment
- Communication Equipment
- Electronic Instruments

DIMENSIONS: (Unit: mm)

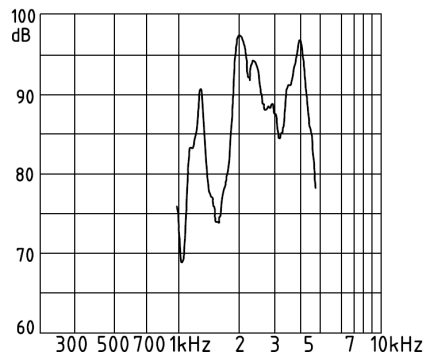
**SFM-TERMINAL
VERSION**



**RECOMMENDED
SMD FOOT PATTERN**



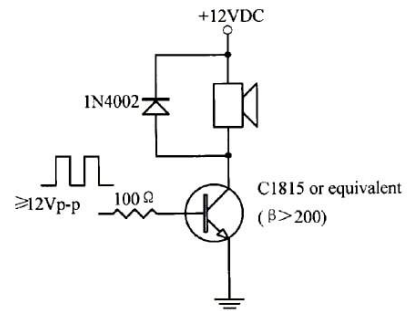
CHARACTERISTICS:



ELECTRICAL SPECIFICATIONS:

Min. Sound Pressure Level at 12V/2000Hz/10cm.....	85dB(A)
Rated Voltage.....	12V
Operating Voltage.....	8~16V
Max. Consumption at 2000Hz/12Vp-p Square Wave.....	40mA/12V _{DC}
Resonant Frequency.....	2000Hz
Coil Resistance.....	140±14Ω
Operating Temperature.....	-20~+70°C
Storage Temperature.....	-30~+80°C
Weight.....	2.5g

TEST CIRCUITS:



PACKING INFORMATION:

- The rolling plate is put into a 340X335X35mm inner packing box and is packed with 250 pcs of the transducer per plate.
- The dimension of the outer carton is 400X350X350mm containing 10 inner boxes with a total quantity of 2500 pcs of the transducer.
- The total gross weight per carton is 11.0Kgs, while net weight is 6.3Kgs.

Address: No. 12. Lane 722. Sangtian Road Jiangdong Science Garden
Ningbo, 315040 P. R. China

Fax No: (0574) 87803761

Tel: (0574) 87802511

