



SMD Magnetic Transducer

RoHS
Compliant

SFM-1324-12



FEATURES:

- Low Frequency
- Can Endure Re-flow Solder Process
- Small and slim size

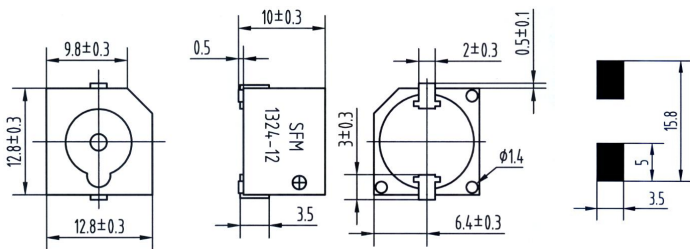
Rev.3

APPLICATIONS:

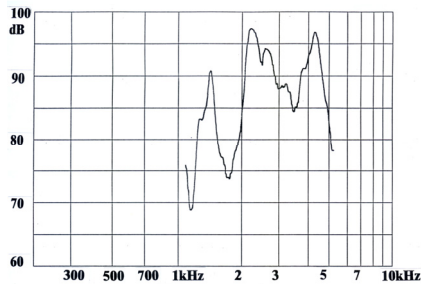
- Automatic Control Equipment
- Communication Equipment
- Electronic Instruments

DIMENSIONS: (Unit: mm)

SFM-TERMINAL RECOMMENDED VERSION SMD FOOT PATTERN



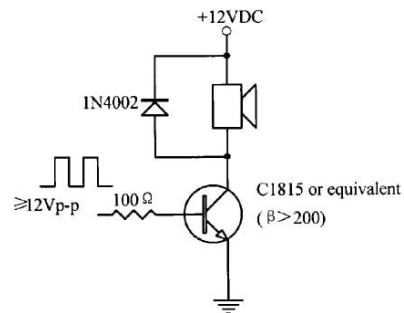
CHARACTERISTICS:



ELECTRICAL SPECIFICATIONS:

Min. Sound Pressure Level at 12V/10cm.....	85dB(A)
Rated Voltage.....	12V
Operating Voltage.....	8~16V
Max. Consumption at 2400Hz/12Vp-p Square Wave.....	40mA/12V _{DC}
Resonant Frequency.....	2400Hz
DC Resistance.....	140±14Ω
Operating Temperature.....	-40~+85°C
Storage Temperature.....	-40~+85°C
Housing Material.....	PPS
Weight.....	2.5g

TEST CIRCUITS:



PACKING INFORMATION:

- The rolling plate is put into a 340X335X35mm inner packing box and is packed with 350 pcs of the transducer per plate.
- The dimension of the outer carton is 400X350X350mm containing 10 inner boxes with a total quantity of 3500 pcs of the transducer.
- The total gross weight per carton is 18Kgs, while net weight is 8.8Kgs.

Address: No. 12. Lane 722. Sangtian Road Jiangdong, Ningbo, 315040 P. R. China

Sales Tel: +86-574-87809820(International)/87805605(Domestic)

Fax: +86-574-87803761



REVISION HISTORY				
REV	DESCRIPTION	ISSUED BY/DATE	CHECKED	APPROVED
2	RELEASE	ZHOUHONGGANG JUL, 17, 2008	ZHANGCHUNLEI	WANGJIANCHENG
3	Product quantity change from 250 pcs / plate to 350 pcs /plate.	WENGUANGJUN SEP, 2, 2009	ZHANGCHUNLEI	WANGJIANCHENG