

SMD Magnetic Transducer

SFM-5540-03A

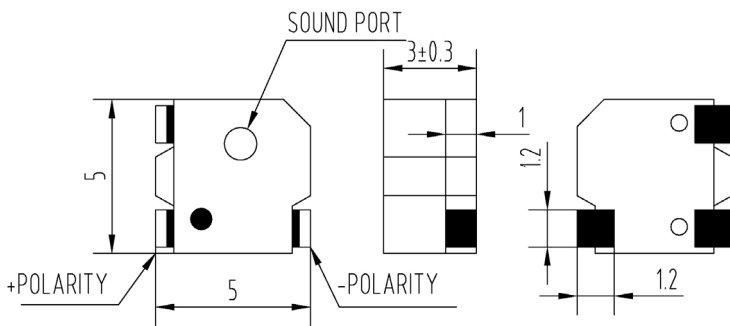
FEATURES:

- This Item Is Designed For Surface Mounting Applications
- Small Size

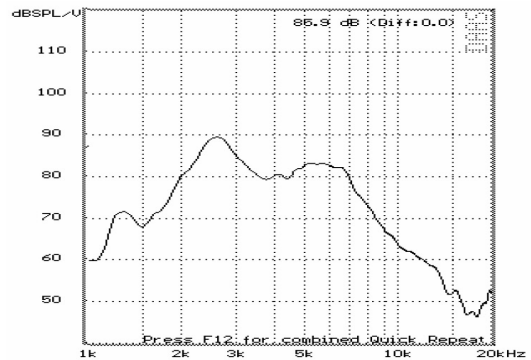
APPLICATIONS:

- PDA(Personal Digital Assistant)
- Miniature Electronic Device

DIMENSIONS: (Unit: mm)



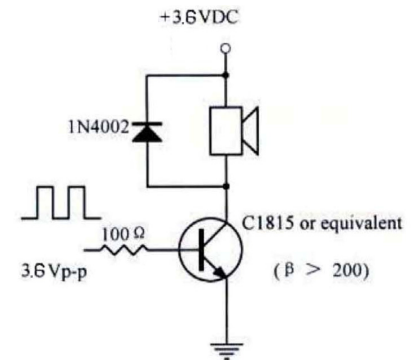
CHARACTERISTICS:



ELECTRICAL SPECIFICATIONS:

Min. Sound Pressure Level at	
3.6V/4000Hz/10cm.....	78dB(A)
Rated Voltage.....	3.6V
Operating Voltage.....	2.5~4.5V
Max. Consumption at	
4000Hz/ 3.6Vp-p Square Wave.....	100mA/3.6VDC
Resonant Frequency.....	4000Hz
Coil Resistance.....	12±2Ω
Operating Temperature.....	-20~+60°C
Storage Temperature.....	-30~+80°C
Weight.....	0.6g
Case Material/color.....	LCP plastic resin/BLACK

TEST CIRCUIT:



PACKING INFORMATION:

TBD

Address: No. 12. Lane 722. Sangtian Road Jiangdong, Ningbo, 315040 P. R. China
 Sales Tel: +86-574-87809820(International)/87805605(Domestic)
 Fax: +86-574-87803761

