



External-driven Piezo Transducer

SFM-6527-01



FEATURES:

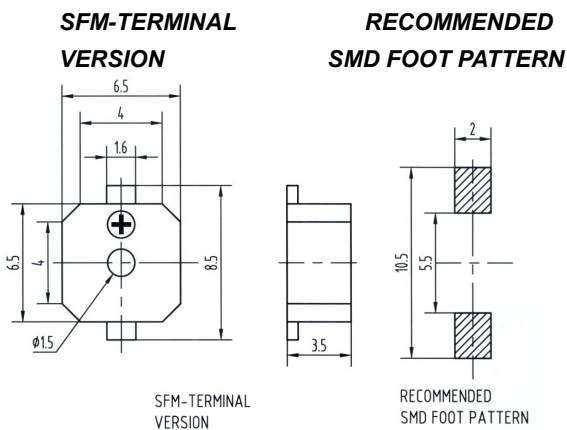
Rev.2

- Super Miniature
- Low Frequency
- Low Voltage

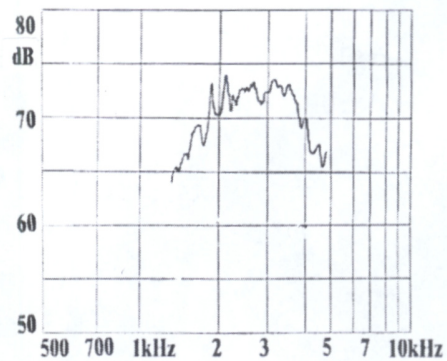
APPLICATIONS:

- Automatic Control Equipment
- Communication Equipment
- Electronic Instruments

DIMENSIONS: (Unit: mm)



CHARACTERISTICS:



This Label is removed after reflow soldering

ELECTRICAL SPECIFICATIONS:

Min. Sound Pressure Level at

2731Hz/ 1.5V Square Wave /10cm70dB

Rated Voltage1.5V

Operating Voltage1~2V

Max. Consumption At

2731Hz/3V_{P-P} Square Wave.70mA/1.5V_{DC}

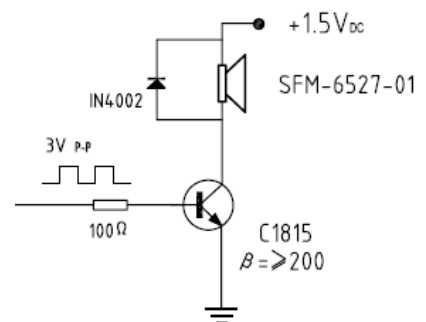
Resonant Frequency2731Hz

DC Resistance6.5±1Ω

Operating Temperature-20~+85°C

Weight1g

TEST CIRCUIT:



PACKING INFORMATION:

TDB

Address: No. 12. Lane 722. Sangtian Road Jiangdong, Ningbo, 315040 P. R. China

Sales Tel: +86-574-87809820(International)/87805605(Domestic)

Fax: +86-574-87803761

