

Magnetic Transducer

SFM-6527-01A

Rev.2



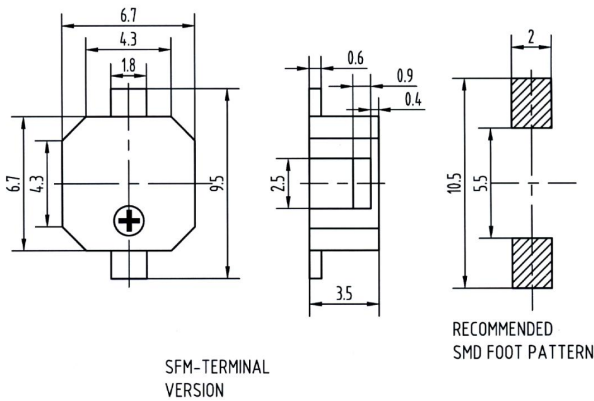
FEATURES:

- Low Frequency
- Low Voltage
- Small and Slim Size

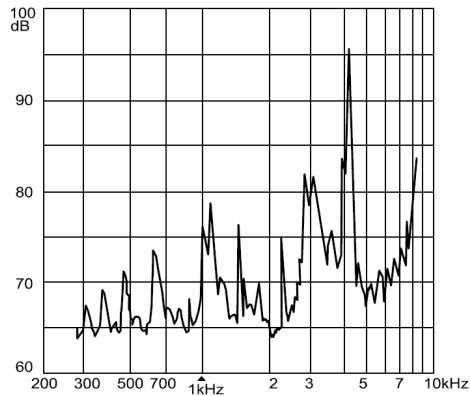
APPLICATIONS:

- Automatic Control Equipment
- Communication Equipment
- Electronic Instruments

DIMENSIONS: (Unit: mm)



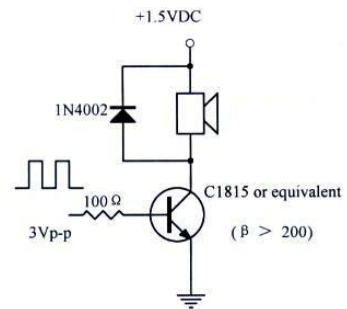
CHARACTERISTICS:



ELECTRICAL SPECIFICATIONS:

Min. Sound Pressure Level at	
1.5V/2731Hz/10cm.....	70dB(A)
Rated Voltage.....	1.5V
Operating Voltage.....	1~2V
Max. Consumption at	
2731Hz/3Vp-p Square Wave.....	70mA/1.5V _{DC}
Resonant Frequency.....	2731Hz
Coil Resistance.....	6.5±1Ω
Operating Temperature.....	-20~+85°C
Weight.....	1g

TEST CIRCUIT:



PACKING INFORMATION:

TBD

Address: No. 12. Lane 722. Sangtian Road Jiangdong, Ningbo, 315040 P. R. China

Sales Tel: +86-574-87809820(International)/87805605(Domestic)

Fax: +86-574-87803761

