



Magnetic Transducer

SFM-6527-03

Rev.2



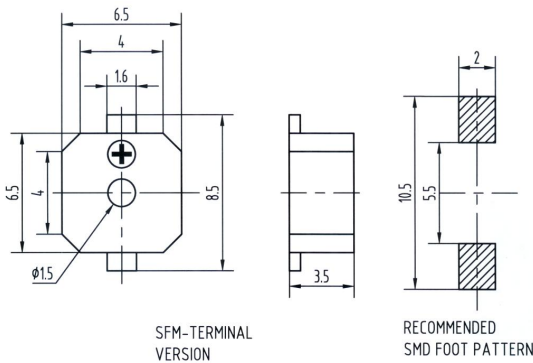
FEATURES:

- Low Frequency
- Low Voltage
- Small and Slim Size

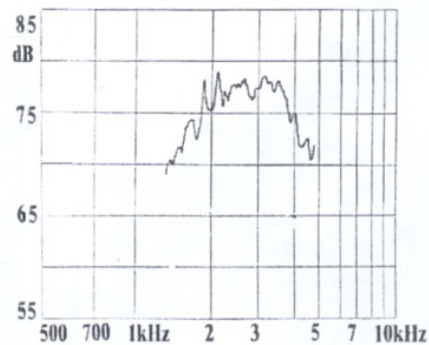
APPLICATIONS:

- Automatic Control Equipment
- Communication Equipment
- Electronic Instruments

DIMENSIONS: (Unit: mm)



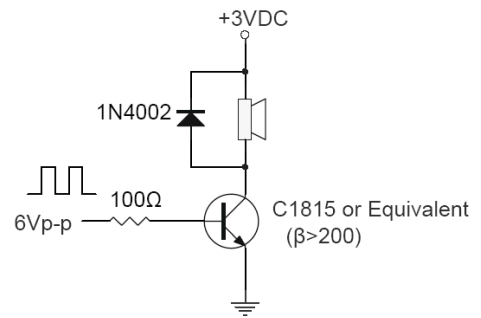
CHARACTERISTICS:



ELECTRICAL SPECIFICATIONS:

Min. Sound Pressure Level at	
3V/2730Hz/10cm.....	70dB(A)
Rated Voltage.....	3V
Operating Voltage.....	2~4V
Max. Consumption at	
2730Hz/6Vp-p Square Wave.....	95mA/3V _{DC}
Resonant Frequency.....	2730Hz
Coil Resistance.....	22±5Ω
Operating Temperature.....	-20~+85°C
Weight.....	1.2g
Case Material/color.....	PPS/Black

TEST CIRCUIT:



PACKING INFORMATION:

TBD

Address: No. 12. Lane 722. Sangtian Road Jiangdong, Ningbo, 315040 P. R. China
 Sales Tel: +86-574-87809820(International)/87805605(Domestic)
 Fax: +86-574-87803761

