



**SMD Magnetic Transducer**

**SFM-9027G01**

Rev.2



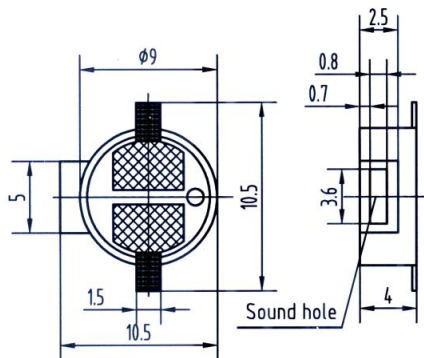
**FEATURES:**

- Low Frequency
- Low Voltage
- Small and slim size

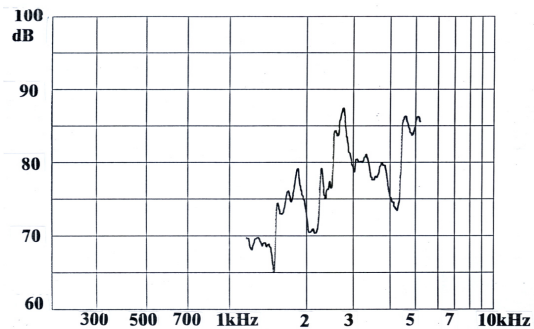
**APPLICATIONS:**

- Automatic Control Equipment
- Communication Equipment
- Electronic Instruments

**DIMENSIONS: (Unit: mm)**



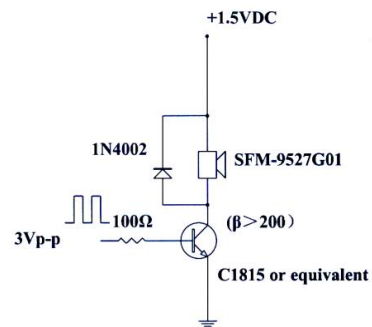
**CHARACTERISTICS:**



**ELECTRICAL SPECIFICATIONS:**

Min. Sound Pressure Level at 2730Hz/1.5V Square Wave/10cm.....	85dB(Typ.87)
Rated Voltage.....	1.5V
Operating Voltage.....	1~2V
Max. Consumption at 2730Hz/3Vp-p Square Wave.....	80mA/1.5V <sub>DC</sub>
Resonant Frequency.....	2730Hz
Coil Resistance.....	6±2Ω
Operating Temperature.....	-40~+85°C
Storage Temperature.....	-40~+85°C
Housing Material.....	LCP
Weight.....	0.7g

**TEST CIRCUITS:**



**PACKING INFORMATION:**

Packing: 2000 pcs per export carton  
 Carton Size: 35×26×26 cm  
 G. Weight: 2.4 kgs N. Weight: 2.0 kgs  
 Address: No. 12. Lane 722. Sangtian Road Jiangdong, Ningbo, 315040 P. R. China  
 Sales Tel: +86-574-87809820(International)/87805605(Domestic)  
 Fax: +86-574-87803761

