



SMD Magnetic Transducer

SFM-9527G01



Rev.2



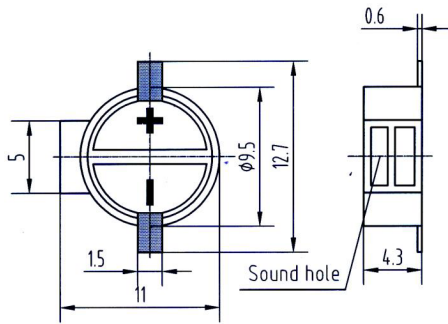
FEATURES:

- Low Frequency
- Low Voltage
- Small and slim size

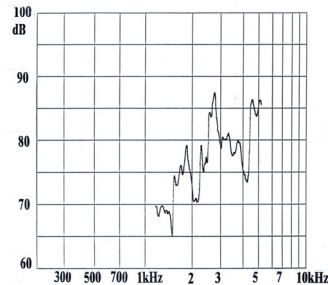
APPLICATIONS:

- Automatic Control Equipment
- Communication Equipment
- Electronic Instruments

DIMENSIONS: (Unit: mm)



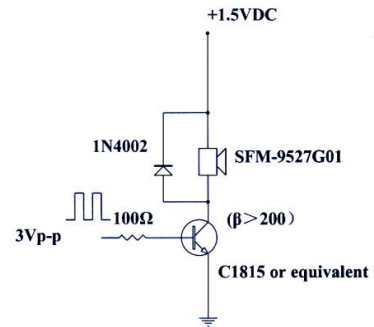
CHARACTERISTICS:



ELECTRICAL SPECIFICATIONS:

- Min. Sound Pressure Level at 2731Hz/ 1.5V Square Wave /10cm.....80dB(A)
- Rated Voltage.....1.5V
- Operating Voltage..... 1~2V
- Max. Consumption at 2731Hz/3Vp-p Square Wave.....80mA/1.5V_{DC}
- Resonant Frequency..... 2731Hz
- Coil Resistance..... 5.5±2Ω
- Operating Temperature..... -20~+80°C
- Weight..... 0.8g

TEST CIRCUITS:



PACKING INFORMATION:

- Packing: 2000 pcs per export carton
- Carton Size: 35× 26× 26cm
- G. Weight: 3.5 kgs N. Weight: 2.0 kgs
- Address: No. 12. Lane 722. Sangtian Road Jiangdong, Ningbo, 315040 P. R. China
- Sales Tel: +86-574-87809820(International)/87805605(Domestic)
- Fax: +86-574-87803761

