



*SMD Magnetic Transducer*



**SFM-9527G01A**

Rev.2



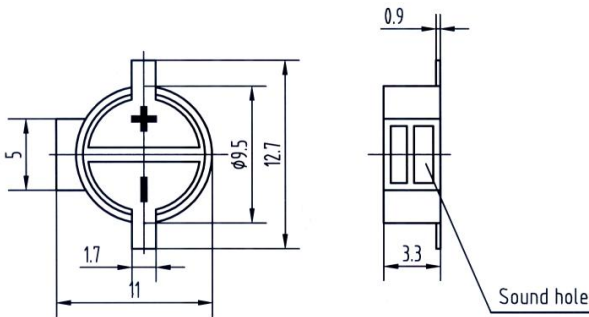
**FEATURES:**

- Low Frequency
- Low Voltage
- Small and slim size

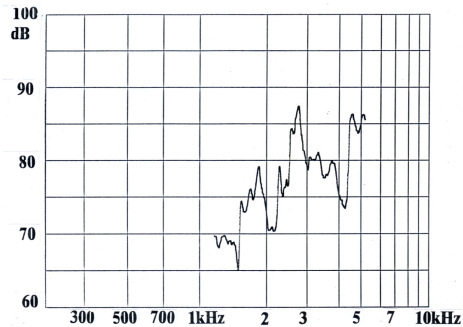
**APPLICATIONS:**

- Automatic Control Equipment
- Communication Equipment
- Electronic Instruments

**DIMENSIONS: (Unit: mm)**



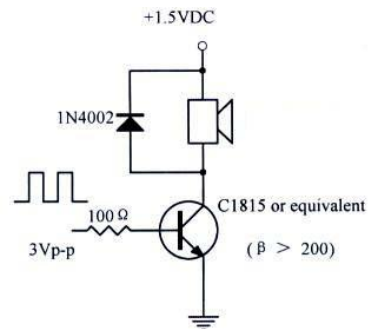
**CHARACTERISTICS:**



**ELECTRICAL SPECIFICATIONS:**

Min. Sound Pressure Level at 2700Hz /1.5V /10cm.....	80dB(A)
Rated Voltage.....	1.5V
Operating Voltage.....	1~2V
Max. Consumption at 2700Hz/3Vp-p Square Wave.....	80mA/1.5V <sub>DC</sub>
Resonant Frequency.....	2700Hz
Coil Resistance.....	16±3Ω
Operating Temperature.....	-20~+60°C
Storage Temperature.....	-30~+70°C
Housing Material.....	PA46/Black
Weight.....	1g

**TEST CIRCUIT:**



**PACKING INFORMATION:**

Packing: 2000 pcs per export carton  
 Carton Size: 35×26×26 cm  
 G. Weight: 2.4 kgs N. Weight: 2.0 kgs  
 Address: No. 12. Lane 722. Sangtian Road Jiangdong, Ningbo, 315040 P. R. China  
 Sales Tel: +86-574-87809820(International)/87805605(Domestic)  
 Fax: +86-574-87803761

