



### SMD Magnetic Transducer

## SFM-9527G03

Rev.2



#### FEATURES:

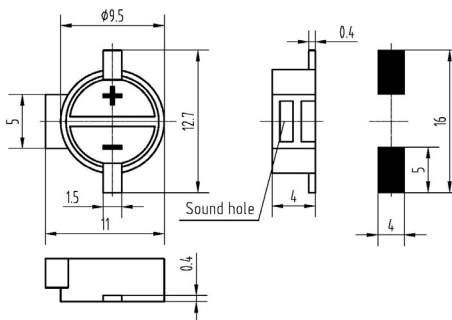
- Low Frequency
- Low Voltage
- Small and slim size

#### APPLICATIONS:

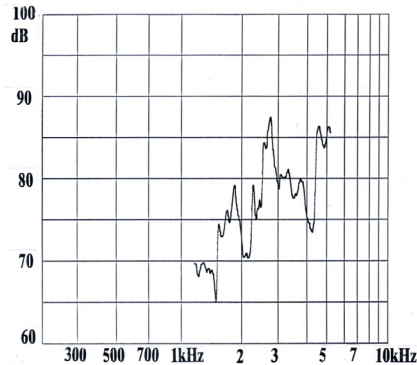
- Automatic Control Equipment
- Communication Equipment
- Electronic Instruments

#### DIMENSIONS: (Unit: mm)

SFM-TERMINAL RECOMMENDED  
VERSION SMD FOOT PATTERN



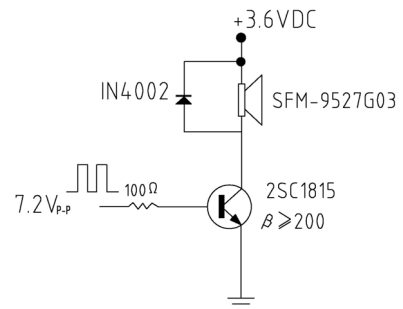
#### CHARACTERISTICS:



#### ELECTRICAL SPECIFICATIONS:

Min. Sound Pressure Level at 2731Hz/3.6V/10cm.....	85dB(Typ.90)
Rated Voltage.....	3.6V
Operating Voltage.....	1.5~4.5V
Max. Consumption at 2731Hz/7.2Vp-p Square Wave.....	85mA/3.6V <sub>DC</sub>
Resonant Frequency.....	2731Hz
Coil Resistance.....	6.5±2Ω
Storage Temperature.....	-20~+80°C
Housing Material/Colour.....	PPS/Black
Weight.....	0.8g

#### TEST CIRCUITS:



#### PACKING INFORMATION:

Packing: 3000 pcs per export carton

Carton Size: 47×25×27cm

G. Weight: 4.0 kgs N. Weight: 2.4kgs

Address: No. 12. Lane 722. Sangtian Road Jiangdong, Ningbo, 315040 P. R. China

Sales Tel: +86-574-87809820(International)/87805605(Domestic)

Fax: +86-574-87803761

