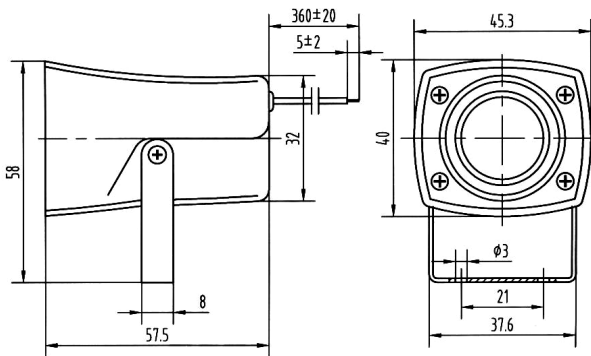


**High-Output Siren****W-12B2****DIMENSIONS: (Unit: mm)****FEATURES:**

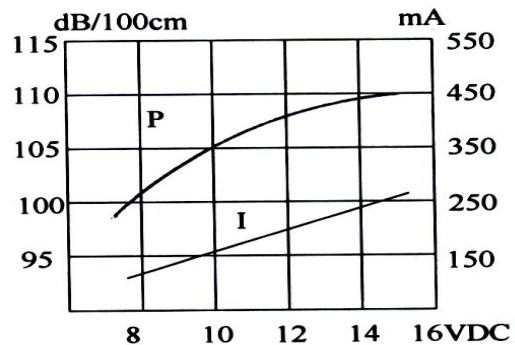
- High Output
- Sealed Type
- High Reliability

APPLICATIONS:

- Automatic Control Equipment
- Communication Equipment
- Electronic Instruments

CHARACTERISTICS:

Rev.3

**ELECTRICAL SPECIFICATIONS:**

Min. Sound Pressure Level at

12V_{DC}/100cm.....105dB(A)

Sound Pressure Level at

12V_{DC}/100cm.....110dB(A)(Typical)Rated Voltage.....12V_{DC}Operating Voltage.....6~16V_{DC}Max. Consumption.....250mA/12V_{DC}

Tone Nature.....Siren

Operating Temperature.....-20~+70°C

Case Material/Color.....ABS/Black

Weight.....63g

PACKING INFORMATION:

Packing: 120 pcs per export carton

Carton Size: 47×30.5×21cm

G. Weight: 9.1 kgs N. Weight: 7.6 kgs

Address: No. 12. Lane 722. Sangtian Road Jiangdong, Ningbo, 315040 P. R. China

Sales Tel: +86-574-87809820(International)/87805605(Domestic)

Fax: +86-574-87803761



REVISION HISTORY				
REV	DESCRIPTION	ISSUED BY/DATE	CHECKED	APPROVED
3	Add typical SPL	WENGUANGJUN April 27, 2009	ZHANGCHUNLEI April 27, 2009	WANGJIANCHENG April 27, 2009