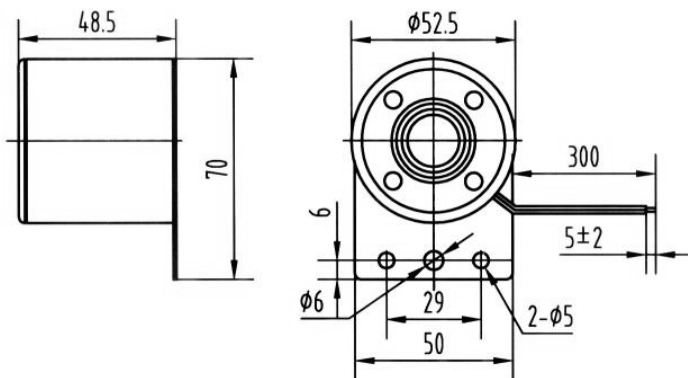




High-Output Siren

Rev.2

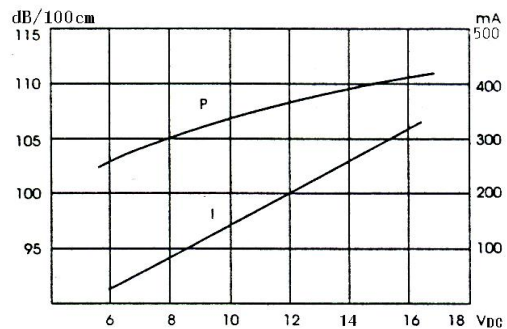
W-18

**DIMENSIONS:** (Unit: mm)**FEATURES:**

- High Output
- Sealed Type
- High Reliability

APPLICATIONS:

- Automatic Control Equipment
- Communication Equipment
- Electronic Instruments

CHARACTERISTICS:**ELECTRICAL SPECIFICATIONS:**

Min. Sound Pressure Level at

12V_{DC}/100cm.....105dB(A)Rated Voltage.....12V_{DC}Operating Voltage.....6~15V_{DC}Max. Consumption.....350mA/12V_{DC}

Tone Nature.....Siren

Operating Temperature.....-30~+70°C

Case Material/Color.....ABS/Black

Weight.....85g

PACKING INFORMATION:

Packing: 100 pcs per export carton

Carton Size: 47×30.5×21cm

G. Weight: 10.0 kgs N. Weight: 8.5 kgs

Address: No. 12. Lane 722. Sangtian Road Jiangdong, Ningbo, 315040 P. R. China

Sales Tel: +86-574-87809820(International)/87805605(Domestic)

Fax: +86-574-87803761

