

**High-Output Siren**

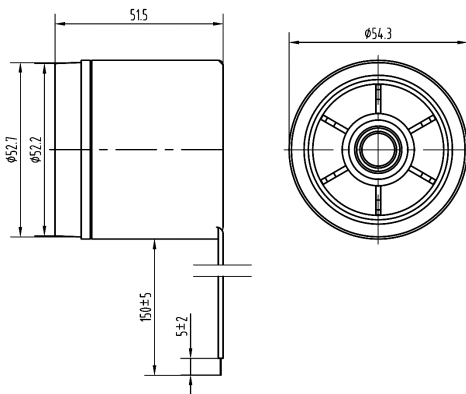
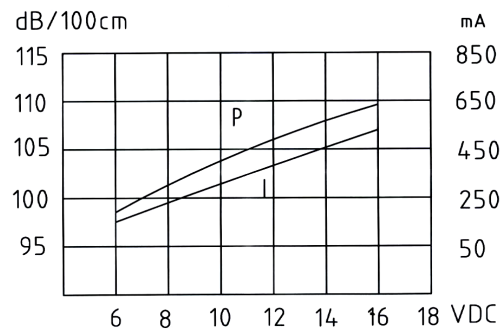
Rev.2

W-18CB**FEATURES:**

- High Output
- Sealed Type
- High Reliability
- Water Proof

APPLICATIONS:

- Automatic Control Equipment
- Communication Equipment
- Electronic Instruments

DIMENSIONS: (Unit: mm)**CHARACTERISTICS:****ELECTRICAL SPECIFICATIONS:**

Min. Sound Pressure Level at

12V _{DC} /100cm.....	105dB(A)
Rated Voltage.....	12V _{DC}
Operating Voltage.....	6~15V _{DC}
Max. Consumption.....	800mA/12V _{DC}
Tone Nature.....	Siren
Oscillating.....	550±100Hz
Operating Temperature.....	-30~+70 °C
Case Material/Color.....	ABS/Black
Weight.....	85g

PACKING INFORMATION:

Packing: 100 pcs per export carton

Carton Size: 47×30.5×21 cm

G. Weight: 10.0 kgs N. Weight: 8.5 kgs

Address: No. 12. Lane 722. Sangtian Road Jiangdong, Ningbo, 315040 P. R. China

Sales Tel: +86-574-87809820(International)/87805605(Domestic)

Fax: +86-574-87803761

