

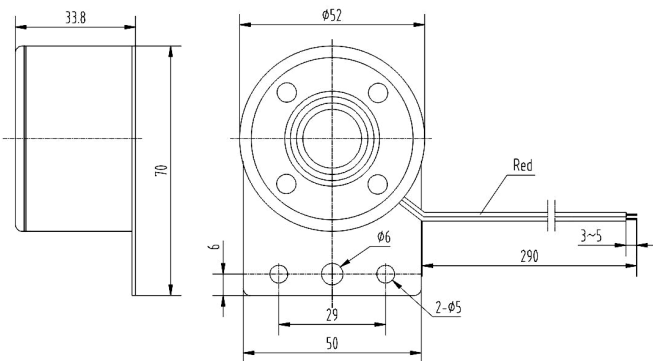


### High-Output Siren

## W-18D



**DIMENSIONS:** (Unit: mm)



**FEATURES:**

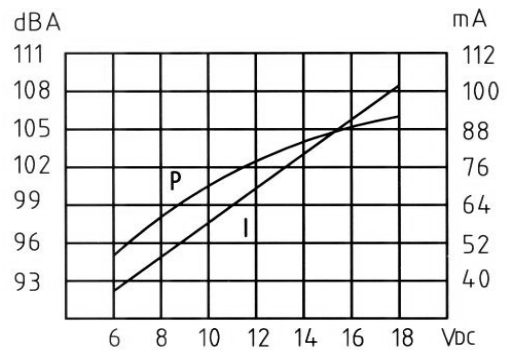
- High Output
- Sealed Type
- High Reliability

**APPLICATIONS:**

- Automatic Control Equipment
- Communication Equipment
- Electronic Instruments

**CHARACTERISTICS:**

Rev.2



**ELECTRICAL SPECIFICATIONS:**

Min. Sound Pressure Level at

12V <sub>DC</sub> /100cm.....	95dB(A)
Rated Voltage.....	12V <sub>DC</sub>
Operating Voltage.....	6~15V <sub>DC</sub>
Max. Consumption.....	100mA/12V <sub>DC</sub>
Tone Nature.....	Siren
Operating Temperature.....	-30~+70 °C
Case Material/Color.....	ABS/Black
Weight.....	70g

**PACKING INFORMATION:**

Packing: 120 pcs per export carton

Carton Size: 47x30.5x16 cm

G. Weight: 9.9 kgs N. Weight: 8.4 kgs

Address: No. 12. Lane 722. Sangtian Road Jiangdong, Ningbo, 315040 P. R. China

Sales Tel: +86-574-87809820(International)/87805605(Domestic)

Fax: +86-574-87803761

