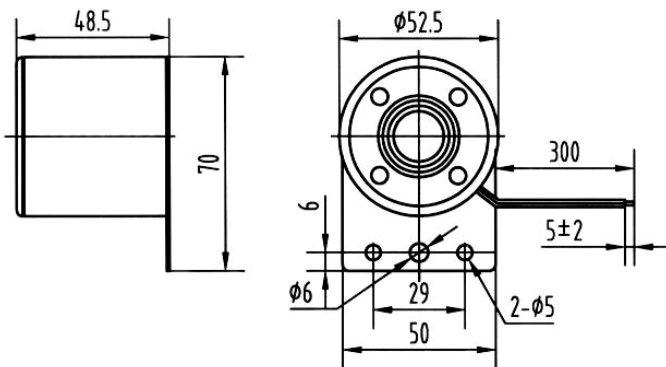




High-Output Siren

W-18M12

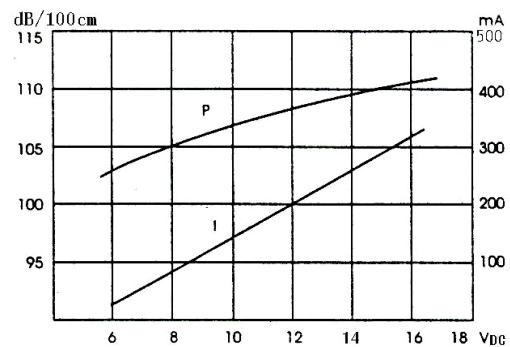
Rev.2

**DIMENSIONS:** (Unit: mm)**FEATURES:**

- High Output
- Sealed Type
- High Reliability

APPLICATIONS:

- Automatic Control Equipment
- Communication Equipment
- Electronic Instruments

CHARACTERISTICS:**ELECTRICAL SPECIFICATIONS:**

Min. Sound Pressure Level at

| | |
|-------------------------------|-------------------------|
| 12V _{DC} /100cm..... | 105dB(A) |
| Rated Voltage..... | 12V _{DC} |
| Operating Voltage..... | .6~15V _{DC} |
| Max. Consumption..... | 350mA/12V _{DC} |
| Tone Nature..... | Inter Mitten (1~3Hz) |
| Operating Temperature..... | -30~+70°C |
| Case Material/Color..... | ABS/Black |
| Weight..... | 85g |

PACKING INFORMATION:

Packing: 100 pcs per export carton

Carton Size: 47×30.5×21cm

G. Weight: 10.0 kgs N. Weight: 8.5 kgs

Address: No. 12. Lane 722. Sangtian Road Jiangdong, Ningbo, 315040 P. R. China

Sales Tel: +86-574-87809820(International)/87805605(Domestic)

Fax: +86-574-87803761

