

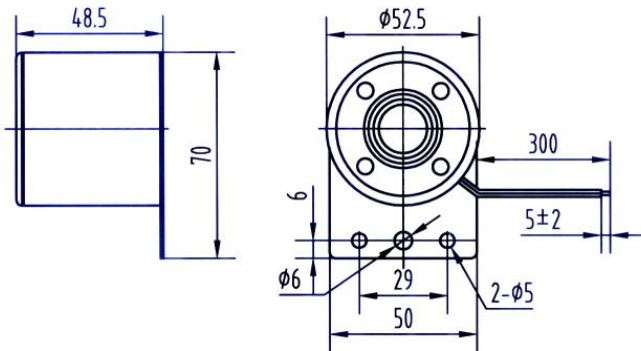


High-Output Siren

W-18M24



DIMENSIONS: (Unit: mm)



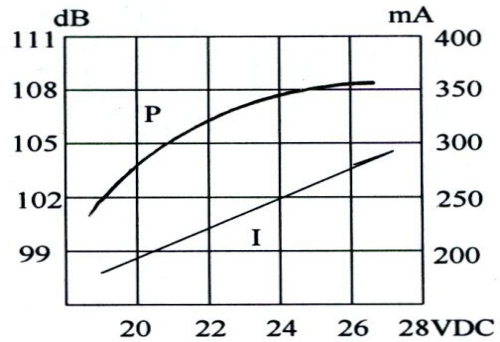
FEATURES:

- High Output
- Sealed Type
- High Reliability

APPLICATIONS:

- Automatic Control Equipment
- Communication Equipment
- Electronic Instruments

CHARACTERISTICS:



ELECTRICAL SPECIFICATIONS:

<i>Min. Sound Pressure Level at</i>	
24V _{DC} /100cm.....	105dB(A)
Rated Voltage.....	24V _{DC}
Operating Voltage.....	18~28V _{DC}
Max. Consumption.....	400mA/24V _{DC}
Tone Nature.....	Inter Mitten (1~3Hz)
Operating Temperature.....	-30~+70°C
Case Material/Color.....	ABS/Black
Weight.....	85g

PACKING INFORMATION:

Packing: 100 pcs per export carton
 Carton Size: 47×30.5×21cm
 G. Weight: 11.0 kgs N. Weight: 8.5 kgs
 Address: No. 12. Lane 722. Sangtian Road Jiangdong, Ningbo, 315040 P. R. China
 Sales Tel: +86-574-87809820(International)/87805605(Domestic)
 Fax: +86-574-87803761

