



High-Output Siren



W-22L Series

FEATURES:

Rev.2

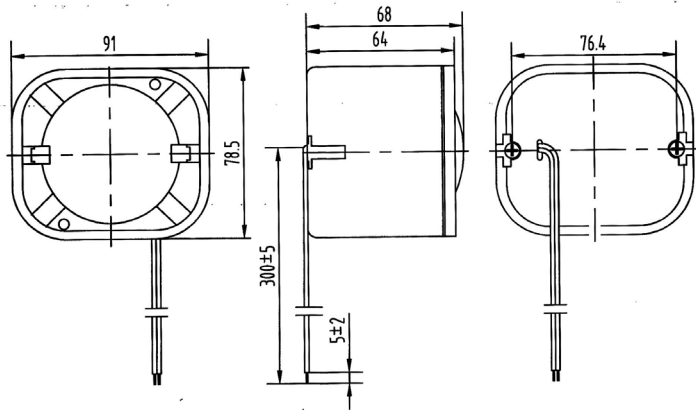


- High Output
- Sealed Type
- High Reliability

APPLICATIONS:

- Automatic Control Equipment
- Communication Equipment
- Electronic Instruments

DIMENSIONS:(Unit: mm)



ELECTRICAL SPECIFICATIONS:

Model NO.		W-22L ₁	W-22L ₂	W-22L ₄	W-22L ₆	No Color 1 Black 2 Red 3 Yellow
Min Sound Pressure Level (dB)		100~115/12V _{DC} /100cm				
Rated Voltage (V _{DC})		12				
Operating Voltage (V _{DC})		6~15				
Max. Consumption (mA)		1000/12V _{DC}				
Tone Nature		Single	Dual	Quadruple	Sextuple	
Wire Connection	Continuous Cycle	V _{DD} 2 V _{SS} 1		2 1	2 1	
	Group Control		V _{DD} 3 2 V _{SS} 1 1			
Operating Temperature (°C)		-20~+60				
Case Material/Color		PA6/Black				
Weight (g)		250				

PACKING INFORMATION:

Packing: 24 pcs per export carton

Carton Size: 46X34X25cm

G.Weight: 7.5 kgs N.Weight: 6.0kgs

Address: No. 12. Lane 722. Sangtian Road Jiangdong, Ningbo, 315040 P. R. China

Sales Tel: +86-574-87809820(International)/87805605(Domestic)

Fax: +86-574-87803761

