

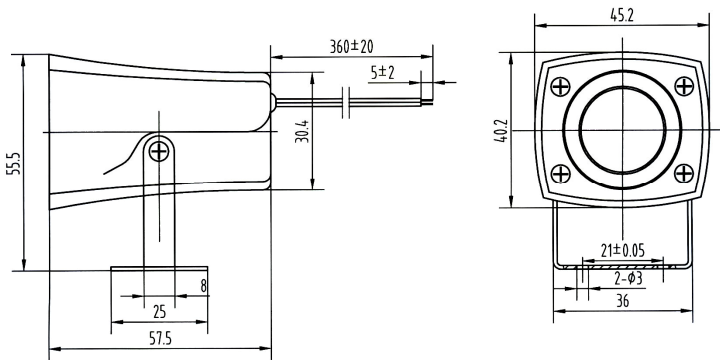


### High-Output Siren

## W-24B



**DIMENSIONS:** (Unit: mm)



**FEATURES:**

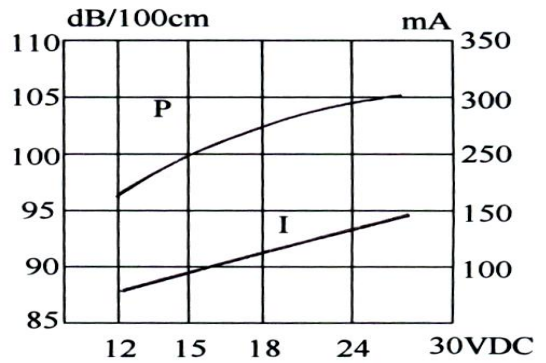
Rev.2

- High Output
- Sealed Type
- High Reliability

**APPLICATIONS:**

- Automatic Control Equipment
- Communication Equipment
- Electronic Instruments

**CHARACTERISTICS:**



**ELECTRICAL SPECIFICATIONS:**

Min. Sound Pressure Level at	
24V <sub>DC</sub> /100cm.....	100dB(A)
Rated Voltage.....	24V <sub>DC</sub>
Operating Voltage.....	12~28V <sub>DC</sub>
Max. Consumption.....	150mA/24V <sub>DC</sub>
Tone Nature.....	Siren
Operating Temperature.....	-20~+70°C
Case Material/Color.....	ABS/Black
Weight.....	60g

**PACKING INFORMATION:**

Packing: 120 pcs per export carton  
 Carton Size: 47×30.5×21cm  
 G. Weight: 8.7 kgs N. Weight: 7.2 kgs  
 Address: No. 12. Lane 722. Sangtian Road Jiangdong, Ningbo, 315040 P. R. China  
 Sales Tel: +86-574-87809820(International)/87805605(Domestic)  
 Fax: +86-574-87803761

