



### High-Output Siren

## W-32-89



#### FEATURES:

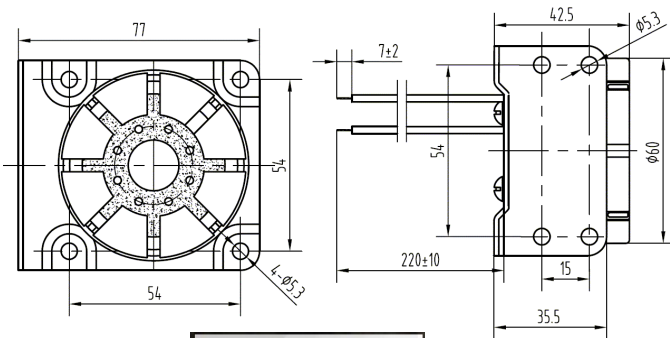
- High Output
- Wide Voltage Range
- High Reliability

#### APPLICATIONS:

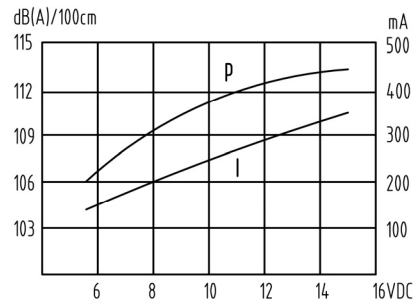
- Automatic Control Equipment
- Back A Car Alarm
- Alarm Systems

Rev.3

#### DIMENSIONS: (Unit: mm)



#### CHARACTERISTICS:



Label:

#### ELECTRICAL SPECIFICATIONS:

Min. Sound Pressure Level at

12V <sub>DC</sub> /100cm.....	108dB(A)
Rated Voltage.....	12V <sub>DC</sub>
Operating Voltage.....	6~15V <sub>DC</sub>
Max. Consumption.....	300mA/ 12V <sub>DC</sub>
Oscillating Frequency.....	2.8 $\pm$ 0.4kHz
Tone Nature.....	Normal Pulse(1.2~1.6Hz)
Operating Temperature.....	-20~+70°C
Case Material/Color.....	PA66/Black
Wire Standard.....	UL1007-18AWG
Weight.....	185g

#### PACKING INFORMATION:

Packing: 72pcs per export carton

Carton Size: 47x30.5x17cm

G. Weight: 16.3 kgs N. Weight: 14.8 kgs

Address: No. 12. Lane 722. Sangtian Road Jiangdong Science Garden  
Ningbo, 315040 P. R. China

Fax No: (0574) 87803761

Tel: (0574) 87802511

