

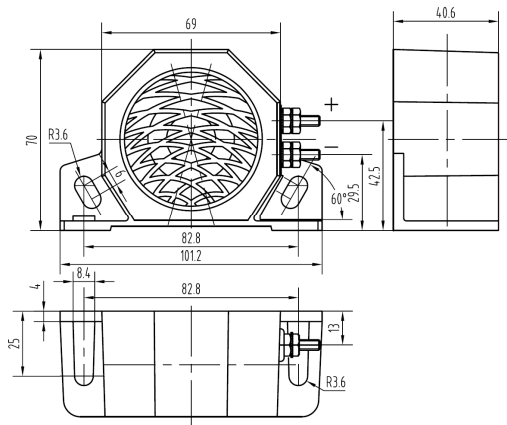


High-Output Siren

W-36L1



DIMENSIONS: (Unit: mm)



FEATURES:

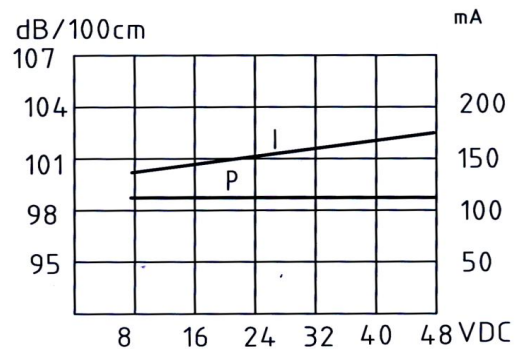
- High Output
- Wide Voltage Range
- High Reliability

Rev.2

APPLICATIONS:

- Automatic Control Equipment
- Back A Car Alarm
- Alarm Systems

CHARACTERISTICS:



ELECTRICAL SPECIFICATIONS:

Min. Sound Pressure Level at

14V _{DC} /100cm.....	93dB(A)
Rated Voltage.....	14V _{DC}
Operating Voltage.....	12~48V _{DC}
Max. Consumption at 14V _{DC}	400mA
Oscillating Frequency.....	1200±200Hz
Tone Nature.....	Slow Pulse (1.2Hz±20%)
Operating Temperature.....	-20~+70°C
Case Material/Color.....	PA66/Black
Weight.....	265g

PACKING INFORMATION:

Packing: 36 pcs per export carton

Carton Size: 32×25×19 cm

G. Weight: 11.0 kgs N. Weight: 9.5 kgs

Address: No. 12. Lane 722. Sangtian Road Jiangdong, Ningbo, 315040 P. R. China

Sales Tel: +86-574-87809820(International)/87805605(Domestic)

Fax: +86-574-87803761

