

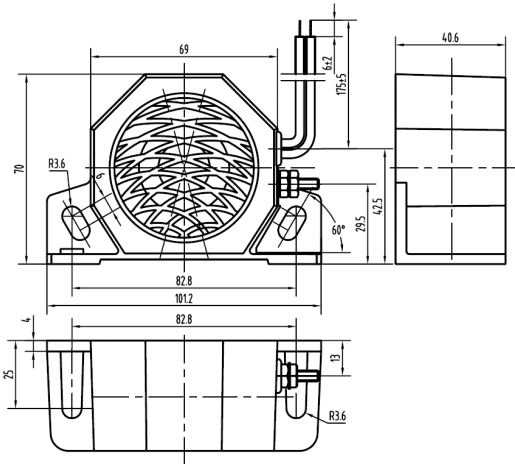


### High-Output Siren

## W-36L2



**DIMENSIONS: (Unit: mm)**



**FEATURES:**

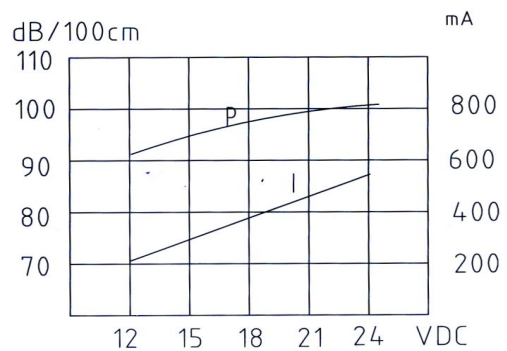
Rev.2

- High Output
- Wide Voltage Range
- High Reliability

**APPLICATIONS:**

- Automatic Control Equipment
- Back A Car Alarm
- Alarm Systems

**CHARACTERISTICS:**



**ELECTRICAL SPECIFICATIONS:**

Min. Sound Pressure Level at 14V <sub>DC</sub> /100cm.....	93dB(A)
Rated Voltage.....	14V <sub>DC</sub>
Operating Voltage.....	12~24V <sub>DC</sub>
Max. Consumption at 14V <sub>DC</sub> .....	800mA
Oscillating Frequency.....	1200±200Hz
Tone Nature/Wire Connection.....	Slow Pulse (1.2Hz±20%)/RED (+) Dual Tone/White (+)
Operating Temperature.....	-20~+70°C
Case Material/Color.....	PA66/Black
Weight.....	265g

**PACKING INFORMATION:**

Packing: 36 pcs per export carton

Carton Size: 32×25×19 cm

G. Weight: 11.0 kgs N. Weight: 9.5 kgs

Address: No. 12. Lane 722. Sangtian Road Jiangdong, Ningbo, 315040 P. R. China

Sales Tel: +86-574-87809820(International)/87805605(Domestic)

Fax: +86-574-87803761

